

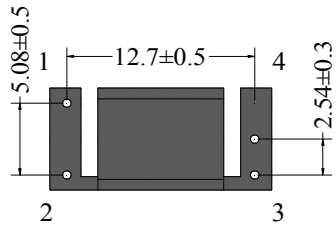
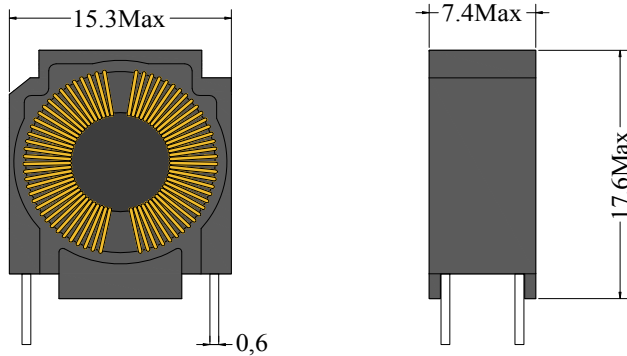


PZ-DNC1225V Series

NiZn Common Mode Power Line Choke
 Web: <http://www.dgpinzhan.com>
 E-mail: sales@dgpinzhan.com

Created	Checked	Type	Date	Version	Page
Tom	Justin	DIP	2020/9/10	A001	1

1. Dimensions: [mm]



4. General Properties:

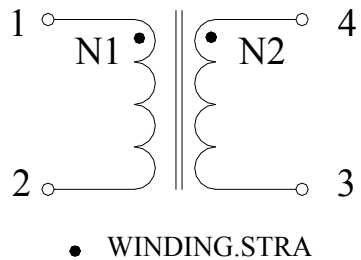
It is recommended that the temperature of the component does not exceed +125°C under worst case conditions.

Storage Temperature:	-20 °C up to +60 °C
Operating Temperature:	-40 °C up to +125 °C
Temperature Rise < 55K.	
Test conditions of Electrical Properties: +20°C, 33% RH if not specified differently.	

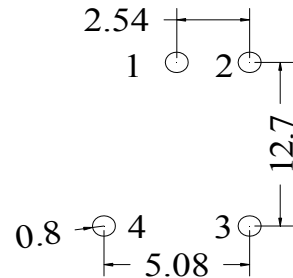
5. Electrical Properties:

Part Code	Inductance	Test conditions	DC-Resistance	Rated Current	TDK Cord
PZ-DNC1225V-140N	14uH±30%	100KHZ/0. 1V	65mΩ Max	4. 0A Max	B82791H2402N010
PZ-DNC1225V-300N	30uH±30%	100KHZ/0. 1V	23mΩ Max	3. 0A Max	B82791H2302N010
PZ-DNC1225V-470N	47uH±30%	100KHZ/0. 1V	31mΩ Max	2. 0A Max	B82791H2202N010
PZ-DNC1225V-101N	100uH±30%	100KHZ/0. 1V	65mΩ Max	1. 5A Max	B82791H2152N010

2. Schematic:



3. PCB Layout Ref(mm)



*** Acceptable customers design custom**